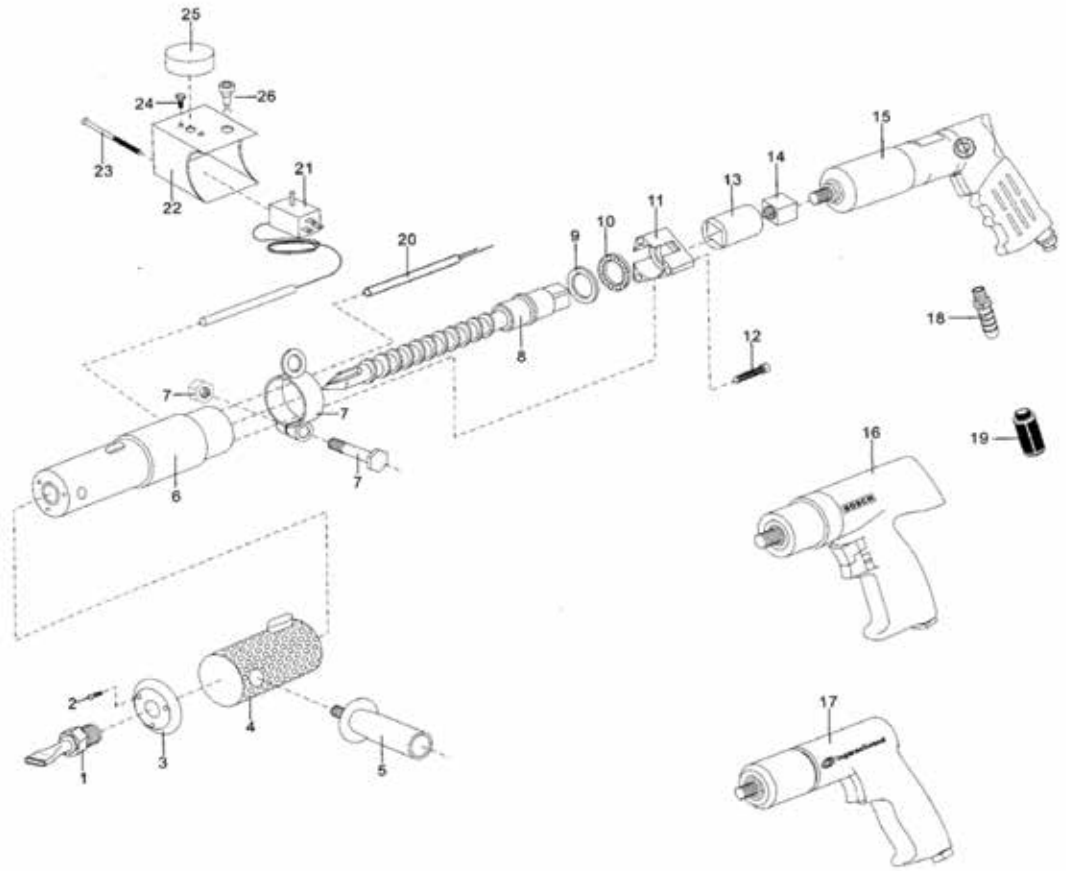
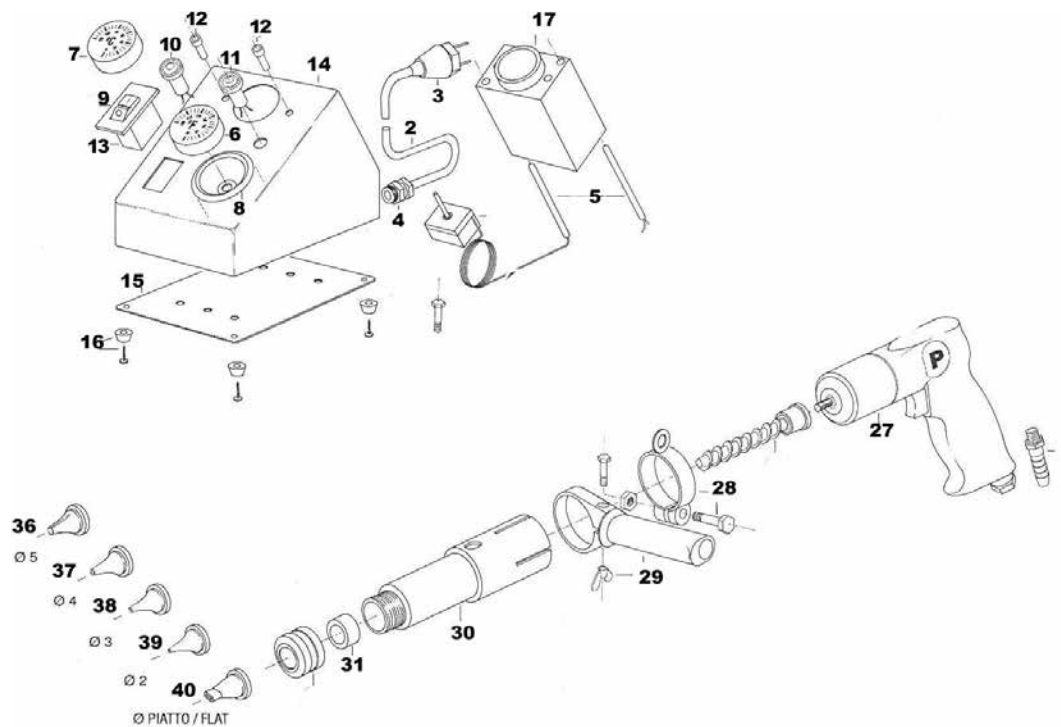


# PNEUMATIC TOOL SCHEMATIC

1. Shaped Nozzle
2. Screw for Head Cap
3. Head
4. Cooling Sleeve
5. Handle
6. Central Body
7. Clamp with Screw
8. Extruder Screw
9. Bearing Ring
10. Plane Bearing
11. Bearing Pedestal
12. Screw for Head Cap
13. Square Joint
14. Tang
15. CP Drill
16. BOSCH Drill
17. Chicago Pneumatic Drill
18. Adapter
19. Silencer
20. Heat Element
21. Thermostat
22. Control Box
23. Screw Control Box
24. Screw Thermostat
25. KNOB
26. Pilot Light



1. Thermostat
2. Cord
3. Plug
4. Fair lead cord
5. Heat element 110/220V
6. Knob °F
7. Knob °C
8. Metal Ring
9. Metal Plate
10. Green pilot light
11. Red pilot light
12. Screw M8D
13. Switch
14. Box
15. Metal Plate
16. Rubber grommets
17. Heater box
20. Bosch extruder screw
25. Nozzle adaptor
27. Penutec drill 400 W
28. Screw M 8 T
29. Pneutec handle
30. Pneutec control body
31. Busching 22x15x15
36. Shaped nozzle 5
37. Shaped nozzle 4
38. Shaped nozzle 3
39. Shaped nozzle Ø 2 670/39
40. Nozzle 7



*Need an extruder gun repaired? We offer repair services with a loaner program. Contact us for details.*